

**Part #678**

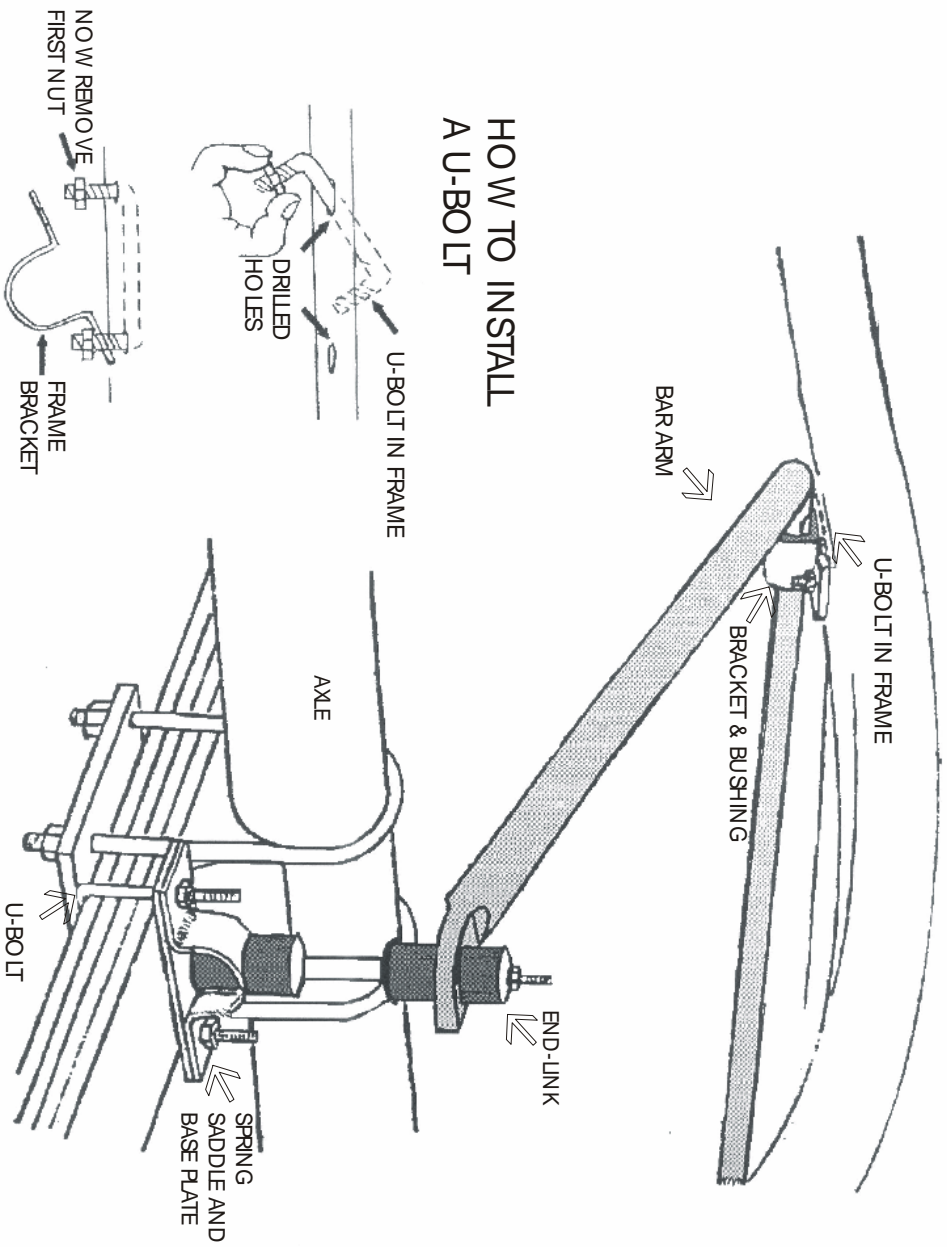
**NOTE:** This bar does not mount like a factory bar. If your car is equipped with a factory bar, kit #432 is a direct replacement that will be easier to install than kit #678. Contact your dealer to exchange kit.

- Step 1.** Raise the rear axle just enough to allow the rear wheels to be removed. Support the axle so that the weight of car remains on the springs. (Do not allow the rear axle to hang.) Remove the right wheel and the bottom of the left side shock absorber.
- Step 2.** Install the D-bushings on the bar mid-section. Insert the bar from the right side center section behind the axle and the arms pointing forward. The bar should be installed so that when the mid-section is raised, the bar eyes will be horizontal. The arms can rest on top of the axle for now. The shock absorber can be reconnected at this time.
- Step 3.** Assemble the end-links as shown to connect the eye of the bar to the spring saddle. Using the long U-bolts, connect the spring saddles to the springs as shown. The spring saddles should be in front of the axle and as close to the axle as possible.
- Step 4.** Tighten the end-link nuts just enough to bulge the bushings a slight amount. Raise the bar mid-section to meet the frame. Adjust the position of the D-bushings so that the flat side is against the frame. Adjust the position of the bar so that the end-links are near vertical from front to rear.
- Step 5.** Place the frame brackets around the D-bushings and mark the frame for drilling through the holes in the bracket. For your safety! Always use caution when working under an elevated car and wear eye protection when drilling. Drill the frame using a 3/8" drill bit.
- Step 6.** Place a nut on one leg of each of the short U-bolts. Insert the other leg of one in one hole of the frame. Maneuver the U-bolt until the other leg drops out of the other hole. Place one side of the base plate on the free end of the U-bolt and secure with a lock-nut. Remove the first nut and install the other side of the base plate over the legs of the of the U-bolt. Then place the brackets around the D-bushings and bolt them onto the U-bolt. Tighten all U-bolt nuts to 15 lbs/ft. Install the tire and lower the car.
- Step 7.** Road test your car to familiarize yourself with its new handling. As we cannot supervise your installation or driving, we cannot be held responsible for more than the cost of the kit. For best balance, control and stability, this kit should be used in conjunction with one of our front kits.

**Hardware**

|                         |                    |
|-------------------------|--------------------|
| 2 RH 014 End-Links      | 2 RH 040 Brackets  |
| 2 RH 041 Brackets       | 8 RH 304 Lock-Nuts |
| 2 RH 612W Bushings      | 4 RH 104 Washers   |
| 2 RH 403 U-Bolts        | 2 RH 031 Plates    |
| 2 RH 402 Square U-Bolts |                    |

# DIRECTION 678



## HOW TO INSTALL A U-BOLT