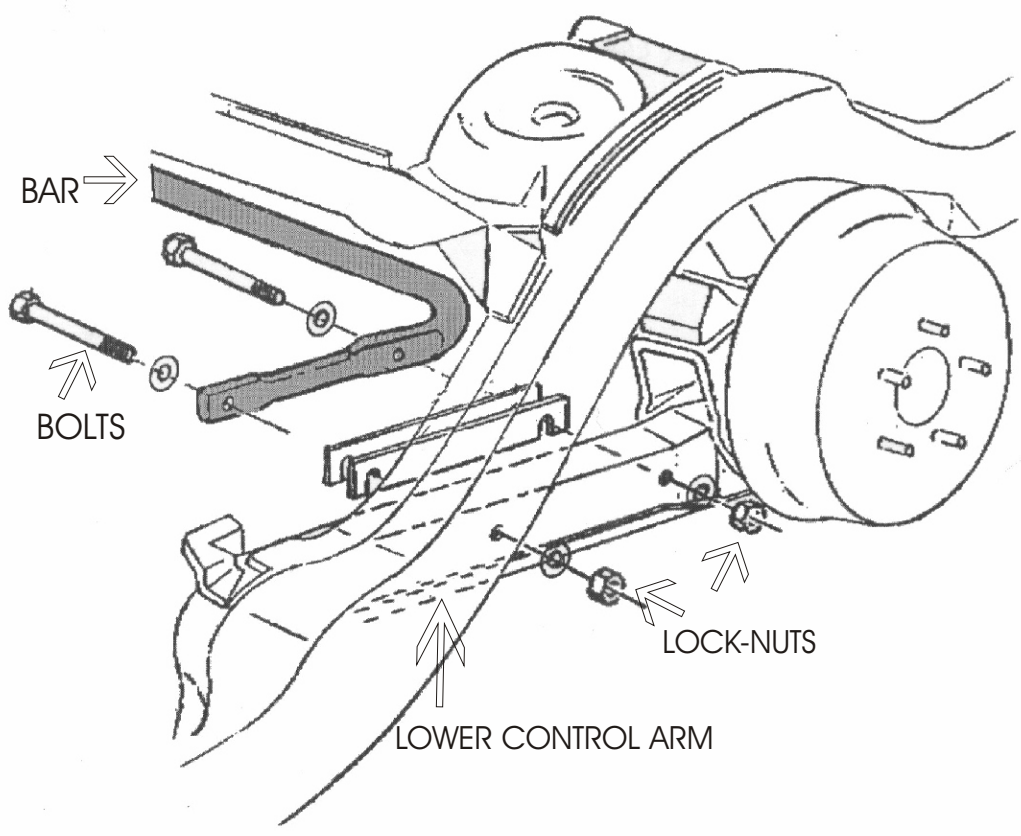
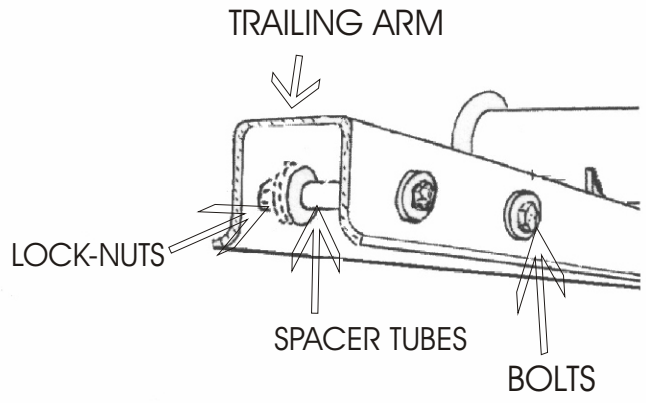


METHOD FOR INSTALLING  
TUBE SPACERS ON OPEN  
TRAILING ARM.



**NOTE: FOR EASE OF INSTALLATION, RAISE REAR OF VEHICLE AND SUPPORT AXLE USING JACK STANDS OR BACK VEHICLE UP ON TO CAR RAMPS. SUSPENSION MUST BE AT NORMAL RIDE HEIGHT FOR INSTALLATION.**

**STEP 1. Remove O. E. bar if vehicle was so equipped.**

**STEP 2. Using the fasteners provided attach the new bar to the inside of the trailing arms. If installing on a vehicle with open control arms, it will be necessary to place the 4 steel tubes (supplied in kit) inside the trailing arm to keep the trailing arm from collapsing when torquing bolts. (See illustration.)**

**STEP 3. With the bar in place and with the bolts still loose check the width of the bar as in relation to trailing arms. Shim bar as necessary. (See illustration.)**

**STEP 4. Now that the bar width has been checked and shimmed (if necessary) tighten bolts to 45 ft/lbs in any sequence.**

**STEP 5. Check the bar in relation to other parts on the vehicle throughout suspension travel for proper clearance.**

**STEP 6. Road test vehicle to familiarize yourself with your vehicles new handling characteristics. As we cannot supervise your installation or driving we cannot be held responsible for more than the cost of the kit.**

**HARDWARE**

<b>4 RH</b>	<b>237</b>	<b>Bolts</b>
<b>4 RH</b>	<b>308</b>	<b>Lock-Nuts</b>
<b>4 RH</b>	<b>073</b>	<b>Tube Spacers</b>
<b>8 RH</b>	<b>102</b>	<b>Flat Washers</b>
<b>4 RH</b>	<b>401</b>	<b>Shims</b>